

Vinyl Sliding Doors

2 - Panel



Installation of Vinyl Patio Doors

Royal vinyl patio doors are ordered handed OX or XO as viewed from the outside (X= sliding panel O= fixed panel). Standard heights for all patio door units are 80 . Frame width is 1 1/8 less than nominal on 2 panel doors. The rough opening should be approximately 1/2 wider and higher than the actual door dimensions to enable the frame to be set plumb and square.

ROYAL VINYL PATIO DOOR PACKING LIST:

1 Masterframe	2 2 1/2 Painted Pan head screws
2 Fixed sash	4 5/8 Flat head screws
1 Sliding sash	16 3/8 Hole plugs
1 Handle assembly	1 Security Lock
14 2 Pan Head screws	1 Keeper
2 3 1/2 Flat head Screws	2 H bars (shipped on masterframe head)

INSTALLATION OF MASTERFRAME

1. The sill should rest solidly on the floor allowing space at both sides to plumb the jambs.
2. Make sure the sill is level first, shim if necessary. Caulk between the sill and the floor.
3. Set shims behind installation holes to make the frame fit plumb and square in the opening secure with **#8 x 2** screws provided. Install **3/8** hole plugs in frame.
4. Take extreme care to seal under the outside of the sill. The entire outside perimeter of the frame needs to be sealed with a high quality caulk.
5. Make certain **H shaped security bars** are in place on the top rail of the frame. One should be on each rail to be above the panels in the closed position.

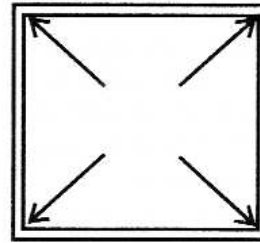
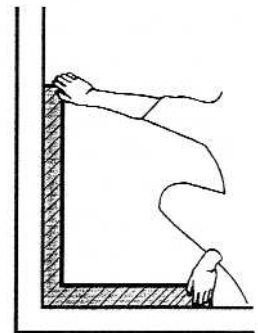


FIG. 1

Square frame in opening by shifting frame until both diagonal dimensions are equal.

The sill should be leveled and secured first, shimming if necessary under installation holes.



INSTALLATION OF FIXED PANELS

1. The fixed panel should be installed from the outside on the rail closest to the outside.
2. Push the sash panel upward so the frame track rail of the head is between the slot in the upper part of the sash.
3. Push the bottom of the panel in until the sill rail fits between the slot in the bottom of the sash.

Note: May be necessary to set in @ threshold and slide panel into place below H-bar.

4. The fixed sash should be left 6 to 8 from the jamb.

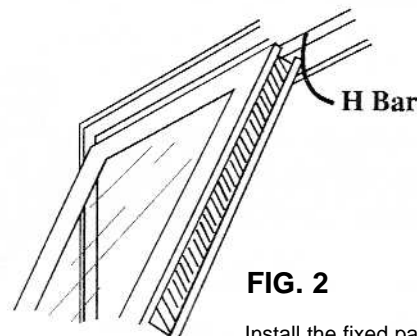


FIG. 2

Install the fixed panels from the outside and on the rail that is closest to the outside. Push the top of the panel upward, so the rail on the head is between the slot in the sash, then push the bottom inward and rest it on the bottom rail.

INSTALLATION OF SLIDING PANEL

NOTE: The bottom of the sash has the two adjusting holes going towards the inside of the house. This panel is installed from the inside of the house following the same procedure as the fixed panel.

1. The top is inserted first, then the bottom.
2. Slide the panel toward the jamb opposite from fixed panel, so jamb is between the slot and the sash.
3. To square the sliding panel to the frame, insert a screwdriver into the holes in the bottom of the sash and adjust the rollers downward or upward, adjusting the panel.
4. Adjust both rollers for smooth operation and equal space at the jamb.
5. Install hole plugs.

SECURE THE FIXED PANEL

1. Push the fixed panel against the jamb. (FIG. 5)
2. Check for squareness.
3. Check the meeting rail.
4. Insert the screw thru the hole in the frame and screw into panel jamb rail. Install hole plugs. (FIG. 3)

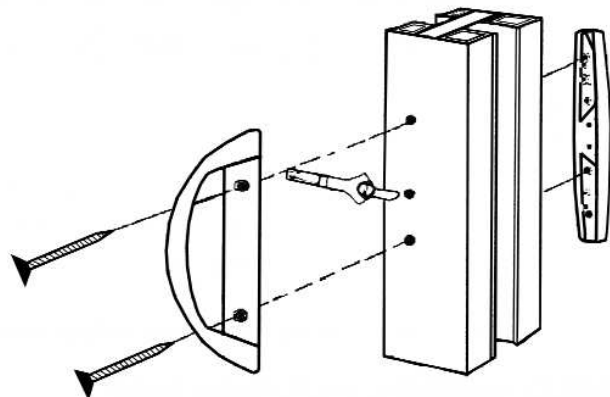


FIG. 4

HANDLE ASSEMBLY

1. Insert the activating lever with the tailpiece into the hub slot of the mortise lock. (FIG. 4)
2. Place the interior and exterior handles on the door with the handgrip towards the glass. Install the **2 8-32** machine screws through the base plate on the inside handle and tighten.
3. Adjust the keeper on the door with a small screw and install bottom screw, **#8 x 2 1/2** to allow for maximum adjustment. remove small top screw and replace with **#8 x 3 1/3**. Adjust for proper latch engagement after rollers are given their final adjustment.
4. After the door and striker are aligned, the in and out hook adjustment may be made by turning the slotted screw on the mortise lock. (Inside Jamb slot on rail)

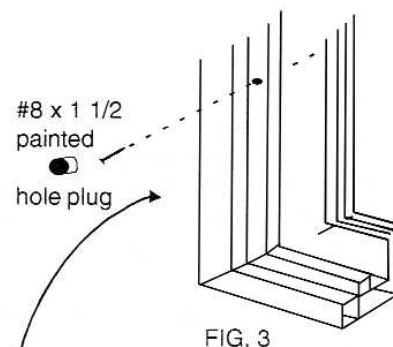


FIG. 3

INSTALLATION OF SECURITY LOCK

NOTE: Location of security lock is suggested in the illustration but actual placement is left up to the user. (FIG. 5)

1. Close the sliding panel and engage lock.
2. Secure metal L bracket to either head or sill with **#8 x 2** screws. (FIG. 6)
3. Position lock on active panel so when bolt is in the lock position it engages the slot closest to the jamb, attach **4 #8 x 5/8** screws.

NOTE: The second slot in the L bracket can be engaged and the user will have a secured door with a small opening for ventilation.

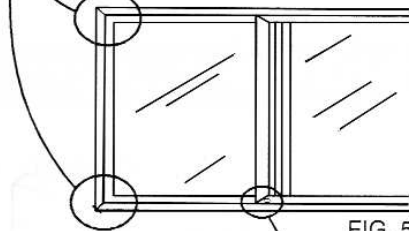


FIG. 5

VINYL SLIDING GLASS DOOR SCREEN INSTALLATION INSTRUCTIONS

1. Loosen rollers.
2. Place door on tracks.
3. Adjust the bottom rollers with screwdriver.
4. Adjust the top rollers with a screwdriver.
5. Install strike and adjust.

NOTE: Adjust bottom rollers so door lifts and is level with sill.

Adjust top rollers to prevent screen rocking.

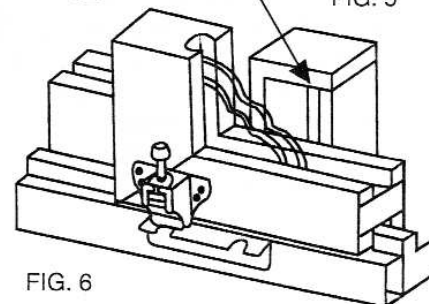


FIG. 6