

Care and Operation of Your Windows

HOMEOWNERS:

Congratulations on your selection of ROYAL windows, one of the most advanced replacement windows available on today's market. These windows have been designed and engineered to seal out water and air, and provide maximum thermal protection for the life of your home.

CARE

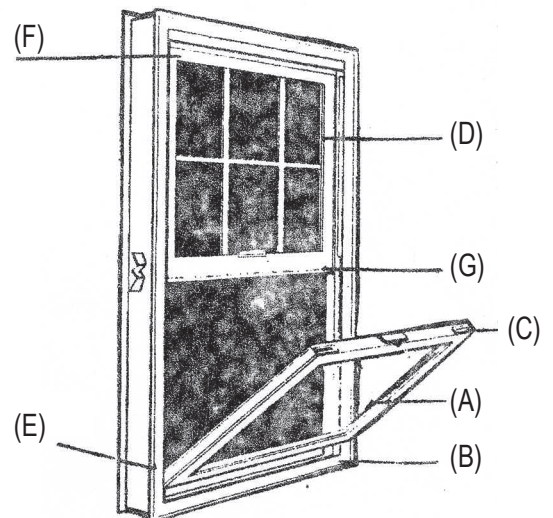
The material used in this window is PVC. This substance virtually eliminates conduction of cold or heat, won't rot, peel or swell and is unaffected by salt air and pollutants. **NEVER NEEDS PAINTING.** To clean it, simply use soap and water. Other cleaners include turpentine or denatured alcohol. For stubborn stains don't hesitate to use a common household cleanser.

DOUBLE HUNG – OPERATION

How to Tilt: Lift the bottom sash (A) approximately 3" from the sill (B). With fingertips, slide latches (C) on both sides of the sash towards the center of the sash, and tilt inward. When washing, rest the center of the sash on your knee or the sill; **DO NOT LAY THE CORNER OF THE SASH ON ANYTHING WHILE LEAVING THE OTHER CORNER UNSUPPORTED.**

TOP SASH

The sash (D) should be pulled all the way down to the sash stops (E). Slide the top sash spring latches (F) toward the center and tilt in. After top sash is cleaned, tilt it back into place. Make sure the latches have sprung back into position by pushing latches with fingertips toward the outer edges of the sash. Then, push the top sash all the way up. Tilt the lower sash back into place and once again check with your fingertips to be sure latches are engaged. Push bottom sash down and lock the window (G).



IMPORTANT

WHEN TILTING IN SASH FOR CLEANING, IT IS IMPORTANT THAT YOU KEEP THE SASH PARALLEL TO THE WINDOW SILL TO AVOID BALANCE DISENGAGEMENT.

SLIDERS – OPERATION

To lift out a slider sash, unlock the window and open sash approximately 3". Grasp the sash firmly on both sides and lift upward. The bottom of the sash will then swing clear of the sill. Swing in and remove. Repeat for the rear sash. To replace the sash, simply reverse the above process.

SCREENS

Your screens are manufactured of the best of materials. Neither rain, snow, nor constant sunshine will affect the frame or mesh, so they never need to be removed unless you desire.



Since 1950

Weather King[®]

Windows & Doors, Inc.

Farmington, MI 48336